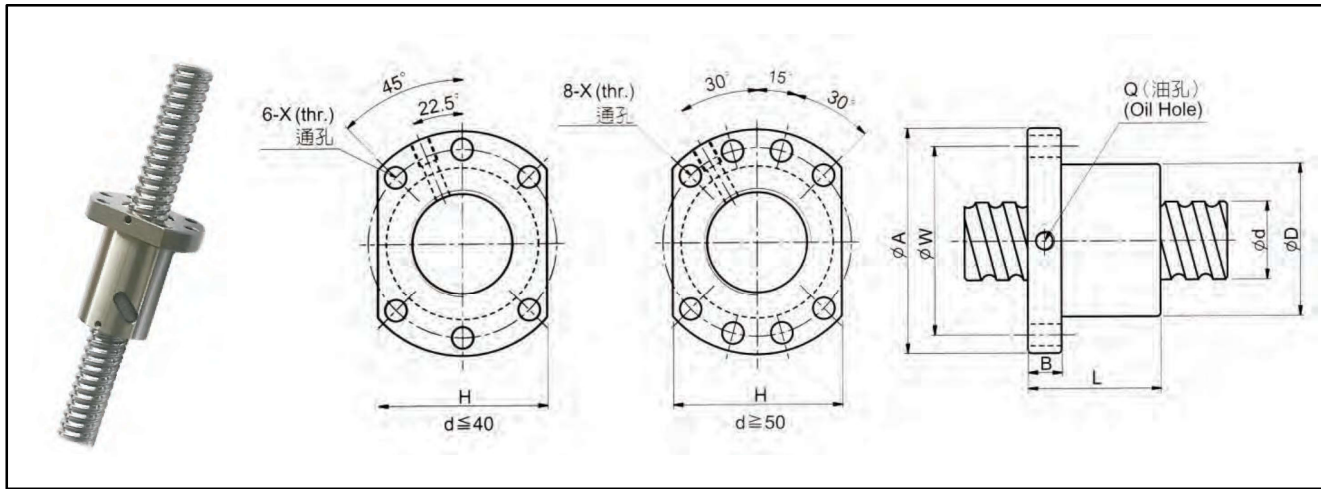


SFU -kuularuuvit



Bearing number	Dimensions mm															Stock
	d	l	Da	D	A	B	L	W	X	H	Q	n	Ca	Coa	K	
SFU1204-4	12	4	2.381	24/22	40	10	40	32	4.5	30		4	593	1129	12.5	✓
SFU1604-4	16	4	2.381	28	48	10	40	38	5.5	40	M6	4	629	1270	35	✓
SFU1605-3	16	5	3.175	28	48	10	43	38	5.5	40	M6	3	765	1240	17	✓
SFU1605-4	16	5	3.175	28	48	10	50	38	5.5	40	M6	4	780	1790	20	✓
SFU1610-3/2	16	10	3.175	28	48	10	47	38	5.5	40	M6	3	721	1249	15	✓
SFU2005-3	20	5	3.175	36	58	10	43	47	6.5	44	M6	3	860	1710	22	✓
SFU2005-4	20	5	3.175	36	58	10	51	47	6.6	44	M6	4	1130	2380	25	✓
SFU2010-3/2	20	10	3.175	36	58	10	47	47	6.6	44	M6	3	830	1680	20	✓
SFU2505-3	25	5	3.175	40	63	10	43	51	6.6	48	M6	3	980	2300	32	✓
SFU2505-4	25	5	3.175	40	63	10	51	51	6.6	48	M6	4	1280	3110	35	✓
SFU2510-4	25	10	4.762	40	63	10	85	51	6.6	48	M6	4	1944	3877	33	✓
SFU2510-4/2	25	10	3.175	40	63	10	54	51	6.6	48	M6	4	1150	2950	30	✓
SFU3205-4	32	5	3.175	50	81	12	52	65	9	62	M6	4	1450	4150	40	✓
SFU3206-4	32	6	3.175	50	81	12	57	65	9	62	M6	4	1720	4298	43	✓
SFU3210-4	32	10	6.350	50	81	14	90	65	9	62	M6	4	3390	7170	45	✓
SFU4005-4	40	5	3.175	63	93	14	55	78	9	70	M8	4	1610	5330	49	✓
SFU4010-4	40	10	6.350	63	93	14	93	78	9	70	M8	4	3910	9520	55	✓
SFU5005-4	50	5	5.175	75	110	15	55	93	11	85	M8	4	1730	6763	60	✓
SFU5010-4	50	10	6.350	75	110	16	93	93	11	85	M8	4	4450	12500	65	✓
SFU5020-4	50	20	7.144	75	110	16	138	93	11	85	M8	4	4644	14327	59.5	✓
SFU6310-4	63	10	6.350	90	125	18	98	108	11	95	M8	4	5070	16600	80	✓
SFU6320-4	63	20	9.525	95	135	20	149	115	13.5	100	M8	4	7573	23860	84.1	✓
SFU8010-4	80	10	6.350	105	145	20	98	125	13.5	110	M8	4	5620	21300	90	✓
SFU8010-6	80	10	6.350	105	145	22	118	125	13.5	110	M8	6	7810	31800	106	✓
SFU8020-4	80	20	9.525	125	165	25	154	145	13.5	130	M8	4	8485	30895	108	✓
SFU10020-4	100	20	9.525	150	202	30	180	170	17.5	155	M8	4	9420	39183	134	✓

l: Lead Da: Ball Dia n: Number or circuits K: stiffness(kgf/μm)
 Ca: Basic Dynamic Rating Load (kgf) Coa: Basic Static Rating Load (kgf)