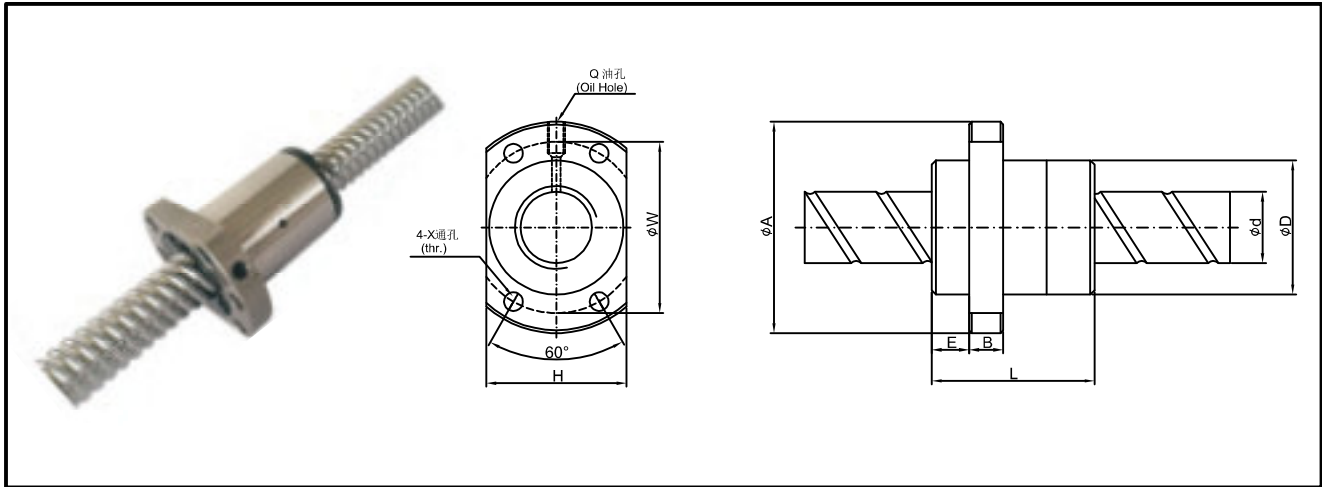


## SFY -kuularuuvit



Bearing number	Dimensions mm																STOCK
	d	l	Da	D	A	E	B	L	W	X	H	Q	n	Ca	Coa	k	
SFY01616-3.6	16	16	2.778	32	53	10.1	10	45	42	4.5	34	M6	1.8X2	1073	2551	31	√
SFY02020-3.6	20	20	3.175	39	62	13	10	52	50	5.5	41	M6	1.8X2	1387	3515	37	√
SFY02525-3.6	25	25	3.969	47	74	15	12	64	60	6.6	49	M6	1.8X2	2074	5494	45	√
SFY03232-3.6	32	32	4.762	58	92	17	12	78	74	9	60	M6	1.8X2	3021	8690	58	√
SFY04040-3.6	40	40	6.35	73	114	19.5	15	99	93	11	75	M6	1.8X2	4831	14062	70	√
SFY05050-3.6	50	50	7.938	90	135	21.5	20	117	112	14	92	M6	1.8X2	7220	21974	86	√
The following two times the lead																	
SFY01632-1.6	16	32	2.778	32	53	10.1	10	42.5	42	4.5	34	M6	0.8X2	493	1116	11	○
SFY02040-1.6	20	40	3.175	39	62	13	10	48	50	5.5	41	M6	0.8X2	653	1597	15	○
SFY02550-1.6	25	50	3.969	47	74	15	12	58	60	6.6	49	M6	0.8X2	976	2495	19	○
SFY03264-1.6	32	64	4.762	58	92	17	12	71	74	9	60	M6	0.8X2	1374	3571	22	○
SFY04080-1.6	40	80	6.35	73	114	19.5	15	90	93	11	75	M6	0.8X2	2273	6387	29	○
SFY050100-1.6	50	100	7.938	90	135	21.5	20	111	112	14	92	M6	0.8X2	3398	9980	35	○

l: Lead      Da: Ball Dia      n: Number or circuits      K: stiffness(kgf/μm)  
 Ca: Basic Dynamic Rating Load (kgf)      Coa: Basic Static Rating Load (kgf)

Note: 1. "-3" means 2 starts, "-6" means 4 starts.