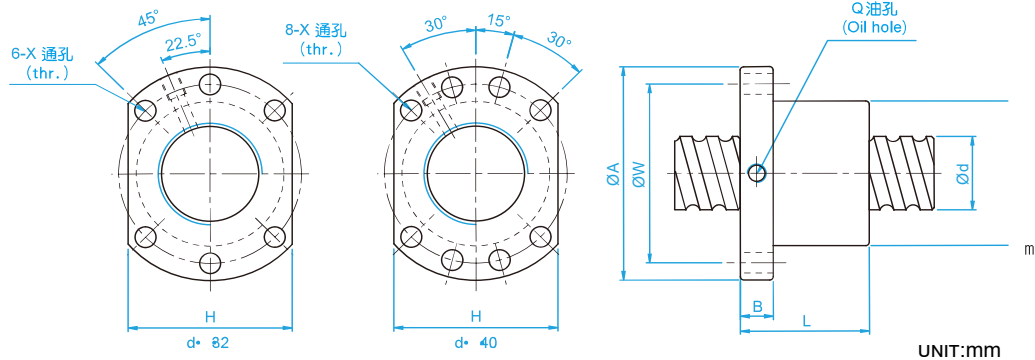


精密研磨級 / STNI、STNU系列規格尺寸表

STNU Technical specification



UNIT:mm

滾珠絲桿

MODEL	Shaft d	Lead l	Ball size Da	DIMENSIONS									RATED LOAD		STIFF. K/ $\mu$
				D	A	B	L	W	H	X	Q	n	Ca	Coa	
STNU01605-4	16	5	3.175	28	48	10	45	38	40	5.5	M6	1x4	1380	3052	32
STNU01610-3		10	3.175	28	48	10	57	38	40	5.5	M6	1x3	1103	2401	26
STNU02005-4	20	5	3.175	36	58	10	51	47	44	6.6	M6	1x4	1551	3875	39
STNU02505-4	25	5	3.175	40	62	10	51	51	48	6.6	M6	1x4	1724	4904	45
STNU02510-4		10	4.762	40	62	12	80	51	48	6.6	M6	1x4	2954	7295	50
STNU03205-4	32	5	3.175	50	80	12	52	65	62	9	M6	1x4	1922	6343	54
STNU03210-4		10	6.35	50	80	12	85	65	62	9	M6	1x4	4805	12208	61
STNU04005-4	40	5	3.175	63	93	14	55	78	70	9	M8	1x4	2110	7988	63
STNU04010-4		10	6.35	63	93	14	88	78	70	9	M8	1x4	5399	15500	73
STNU05010-4	50	10	6.35	75	110	16	88	93	85	11	M8	1x4	6004	19614	85
STNU06310-4	63	10	6.35	90	125	18	93	108	95	11	M8	1x4	6719	25358	99
STNU08010-4	80	10	6.35	105	145	20	93	125	110	13.5	M8	1x4	7346	31953	109